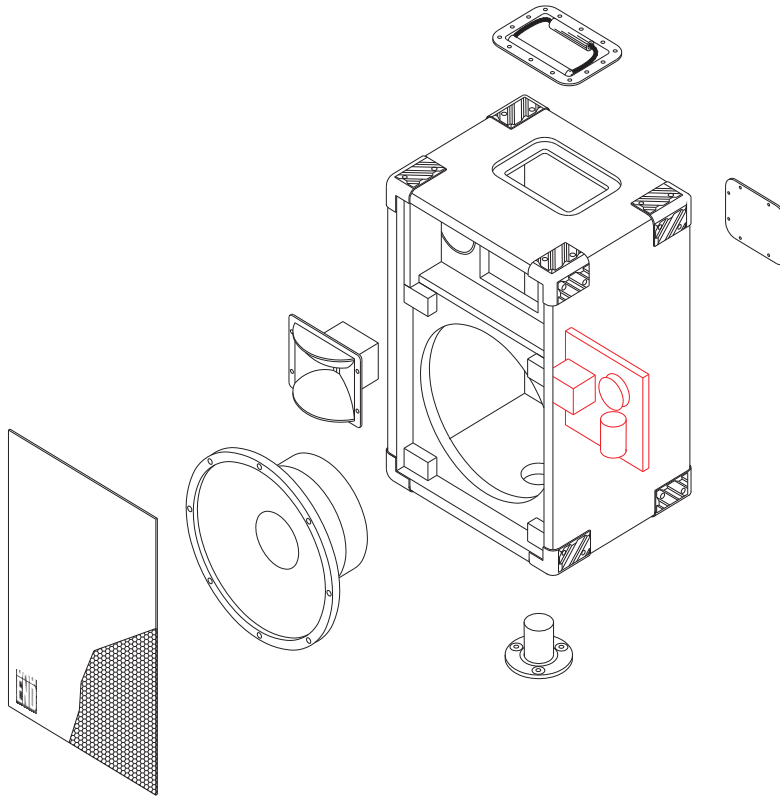


### S P E C I F I C A T I O N S



### APPLICATIONS:

- Portable Auditorium PA
- Electronic Keyboards
- Acoustic Guitar
- Drum Monitor
- Portable DJ Systems

### ARCHITECTURAL SPECIFICATIONS:

The loudspeaker shall be a 2-way vented system with one 30cm (12") low frequency driver and one 10cm x 15cm (4" x 6") high frequency driver. The low frequency driver shall have a 1.7kg (60 oz.) magnet with a rear vented back plate assembly and a 6.35cm (2.5") copper voice coil wound on a Kapton former. The high frequency driver shall have a phenolic diaphragm with a 25.4mm (1") voice coil linked to a 90° x 40° constant directivity horn. The frequency response shall be 75 Hz to 19 kHz  $\pm 3$ dB. The system shall be Time-Aligned™ by E. M. Long Associates with a time offset at crossover of  $\pm 25$  microseconds. The system shall have an average sensitivity of 101dB SPL with 1 Watt input at 1 meter. The system shall have a minimum power handling capacity of 150 Watts continuous long term. The enclosure shall be made of 19mm (3/4") poplar plywood with glued rabbet joints and internally dampened with 125 gram/inch<sup>2</sup> cotton dampening material. The enclosure shall have one recessed handle. The protective grille shall be vinyl coated 16 gauge perforated steel with 5/32" holes. The input connector plate shall be recessed in the back of the enclosure and shall include one dual banana connector, two 1/4" phone connectors and two Neutrik Speakon connectors. The overall dimensions shall not exceed 55cm (21.5")h x 37cm (14.5")w x 31cm (12")d. The unit shall be completely covered with durable black carpet. The carpet shall be tucked under the recessed handle and recessed input connector plate. The system shall include protective interlocking corners and a 35mm cup for stand mounting.

#### SYSTEM COMPONENTS

- Enclosure:**  
3/4" 7-ply poplar plywood
- Low Frequency Transducer:**  
12" Cone  
2.5" Voice coil  
60 oz. Magnet
- High Frequency Transducer:**  
1" Exit compression driver  
1.8" Titanium diaphragm  
15 oz. Magnet  
Constant directivity horn
- Input Connectors:**  
1 - Dual banana  
2 - 1/4" Phone  
2 - Neutrik Speakon
- Grille:**  
16 Gauge black vinyl coated perforated steel
- Standard Hardware:**  
1 - Recessed handle  
1 - 35 mm Stand adapter  
8 - Interlocking corners

#### ACOUSTIC AND ELECTRICAL

- System Type:**  
2-way vented 1.1 ft<sup>3</sup>
- Impedance:**  
8  $\Omega$
- Crossover Network:**  
Passive Time-Align® equalizer type at 3.3 kHz
- Time Offset Between Drivers:**  
<  $\pm 25$  Microseconds
- Frequency Response:**  
75 Hz to 19 kHz  $\pm 3$  dB  
(4 $\pi$  Steradians)
- Sensitivity:**  
101 dB SPL (1W @ 1m)
- Dispersion:**  
90° Horizontal (-6 dB)  
40° Vertical (-6 dB)
- Power Handling:**  
150 W continuous sine wave  
600 W instantaneous peak

#### PHYSICAL

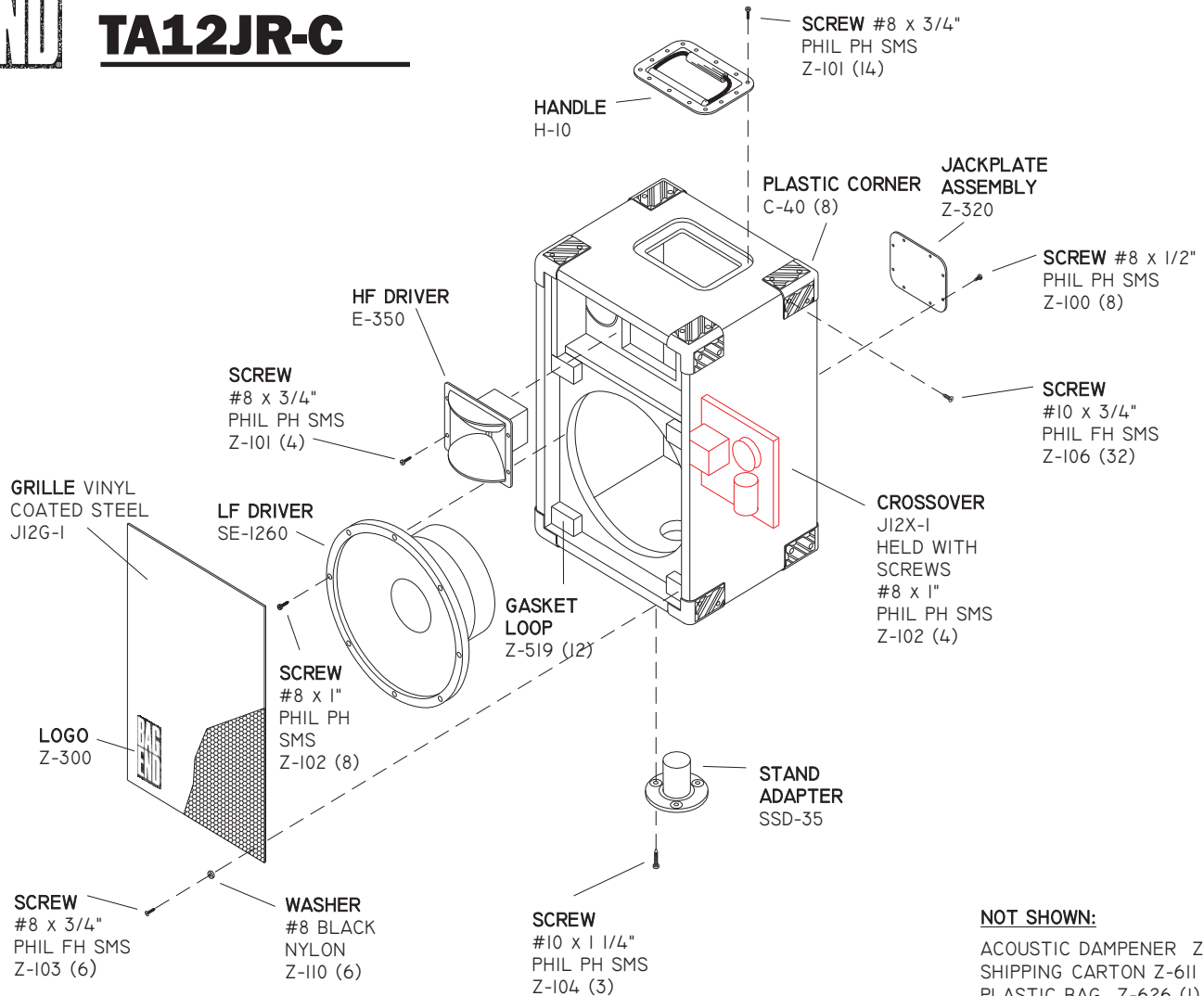
- Finish:**  
Black carpet
- Dimensions:**  
21.5"h x 14.5"w x 12"d  
55 cm x 37 cm x 31 cm
- Weight:**  
39 lbs.  
18 kg
- Shipping Dimensions:**  
24" x 16" x 14"  
61 cm x 41 cm x 36 cm
- Shipping Weight:**  
43 lbs.  
20 kg

**BAG END Loudspeakers**  
22272 Pepper Road  
Barrington, Illinois  
60010 USA  
Voice 847 382 4550  
Fax 847 382 4551  
www.bagend.com





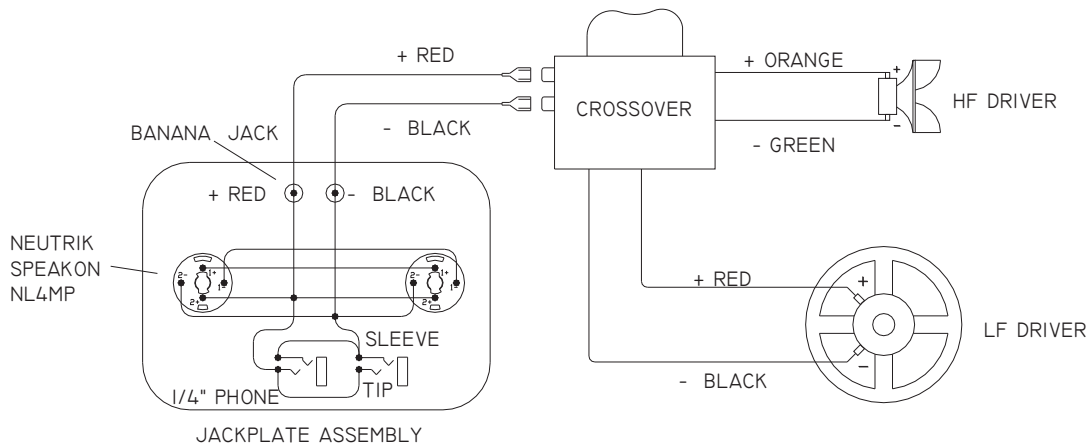
# TA12JR-C



**NOT SHOWN:**

- ACOUSTIC DAMPENER Z-500 (4)
- SHIPPING CARTON Z-611 (1)
- PLASTIC BAG Z-626 (1)
- EDGE GUARD Z-630 (16)

## SYSTEM SCHEMATIC



The Neutrik Speakon NL4MP connector is a keyed, high current, four conductor device which allows both the high and low frequency signals for a bi-amped loudspeaker system to run through the same multi-conductor cable. Note that all four conductors on both connectors are wired in parallel, but only two conductors are connected to the drivers in the enclosure. This permits an easy parallel connection to other similar loudspeakers (if your amplifier can handle the low impedance load!) and allows the use of a short "jumper" to connect to the mid/high speakers in a bi-amped system. Banana jacks are also provided on each circuit.