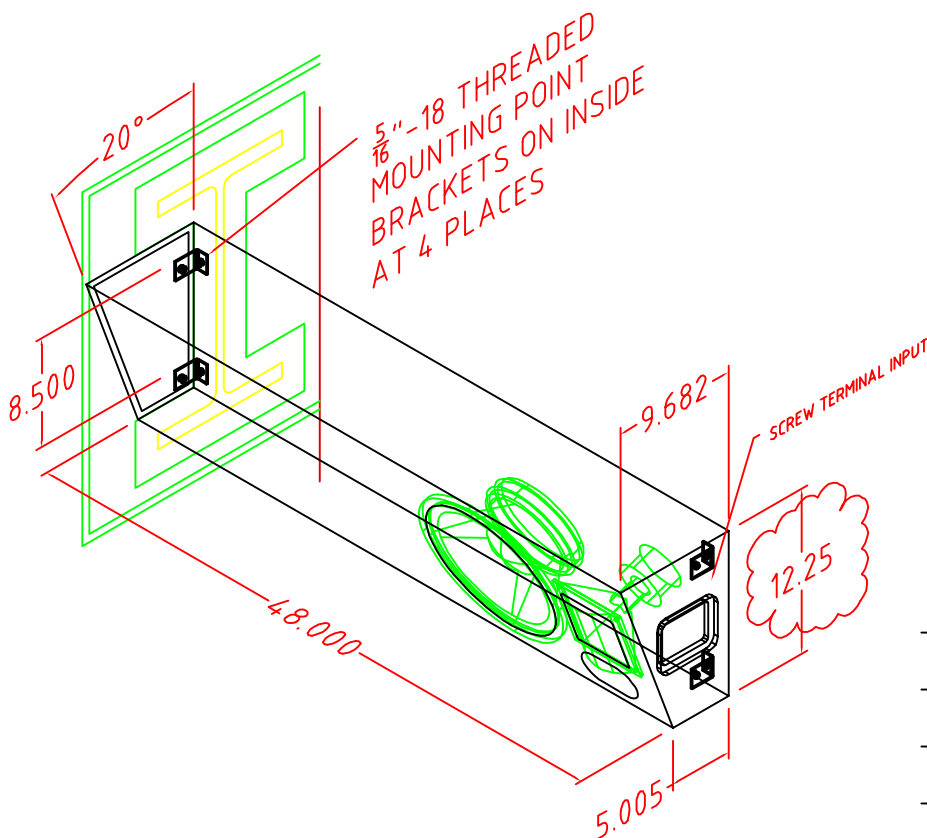




MATERIAL: .5" THICK BIRCH PLYWOOD
FINISH: BLACK TEXTURE PAINT
2 UNITS WILL BE BUILT AS A
MIRRORED IMAGE PAIR

22272 PEPPER ROAD
BARRINGTON, IL
60010
847 382 4550 voice
847 382 4551 fax
www.bagend.com



CADOp	HH
Filespec	i-beam ta1200
Date	9 JULY 2010
Tolerance	±.030
Units	inches
Scale	nts
Sheet Title	CUSTOM TA1200 TO FIT I-BEAM