

# DM-12 MARS

## APPLICATIONS

Restaurant Foreground Music Systems    Compact Voice Reinforcement  
Nightclub Installations

## DESCRIPTION

The DM-12 is a 2-Way full range, short throw high output loudspeaker system offering high fidelity, high efficiency and high power handling capacity. The DM-12 is designed for applications where high sound pressure levels along with wide even dispersion is required.

The DM-12 includes a robust high power internal passive crossover for easy convenient full range connection to the amplifier. External Bag End® Karios KS26 DSP processor may be optionally employed to increase the system dynamics and fidelity. Constructed from 18mm Baltic birch plywood the DM-12 features a durable and attractive black Ro Tex™ finish, durable steel grille, Integral handles and integral rigging attachment points.



## SPECIFICATIONS

**System Type:**

2-way vented 2.4 ft<sup>3</sup>

**Enclosure:**

18 mm 13-ply birch plywood

**Finish:**

Black Ro Tex™ True water born environmental finish

**Grille:**

16 Gauge black power coated perforated steel

**Low Frequency Components:**

Low/Mid Frequency Transducer, 12" Cone, 4" Voice coil, 109oz Magnet

**High Frequency Components:**

Transducer, 2" Exit compression driver, Wide Directivity

**Input Connector:**

Dual Neutrik® speakON

**Fly Points Safe Working Load:**

200 lbs Upper most rigging points

**Crossover Type:**

Passive

**Sensitivity:**

93 dB SPL (2.83 V @ 1m)

**Frequency Response:**

60 Hz to 16 kHz ±3 dB

**Low Frequency Limit:**

50 Hz (-10dB)

**Power Handling:**

800 W continuous (IEC 60268)

**Recommended Amplifier Power:**

600 to 1200 W at rated impedance

**Rated Impedance:**

8 Ohms

**Coverage Pattern:**

100 degrees Horizontal (-6 dB)

90 degrees Vertical (-6 dB)

Rotatable horn

**Recommended High Pass Filter:**

50 Hz Butterworth 18 dB/octave

**Polarity:**

A positive asymmetrical signal applied to the + terminal will result in a positive asymmetrical acoustical pressure

**Dimensions:**

29.25" h x 16.25" w x 18.25" d

74 cm x 41 cm x 46 cm

**Weight:**

92 lbs

42 kg

**Custom Finishes:**

Optional custom finishes include white, unfinished ready to paint and outdoor weather treatment.

BAG END® is a registered trademark of Bag End, Inc.

# DM-12 MARS

## ABOUT OUR RO TEX™ FINISH

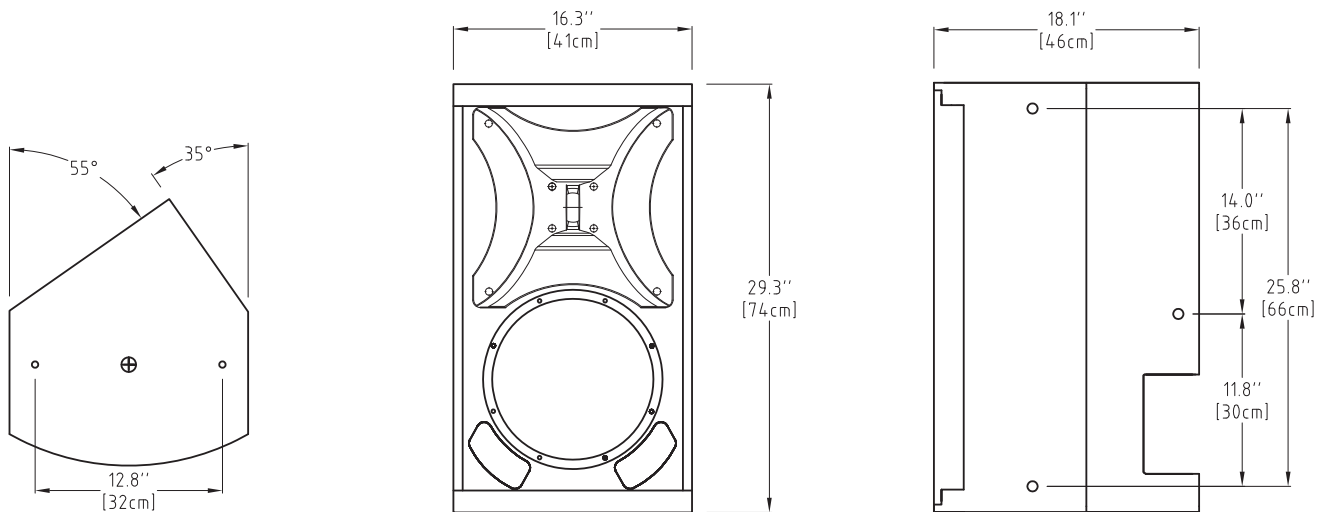
The durable Ro Tex™ finish is double layered on Bag End™ "R" series or Road cabinets. And single layered on installation or "I" cabinets. Ro Tex™ is a water born environmentally safe finish. It's uniquely strong and long lasting. As it solidifies it attaches and bonds to the wooden cabinet to make a super hard and durable permanent finish. Its light texture offers an attractive and rugged finished look



## ABOUT BAG END® LOUDSPEAKERS

Bag End loudspeakers began in 1976 in a small shop by people dedicated to the pursuit of making high quality loudspeaker systems. Over the decades Bag End® has employed the very best construction techniques and innovative acoustical designs into their products. The ground breaking introductions of the Time-Align® and ELF™ Technologies into sound reinforcement and studio monitor loudspeakers in the 1980's was followed by Minima One™ self-powered systems and the highly unique E-Trap™, electronic bass trap. Over the decades, Bag End® has been a leader in providing uniquely good sounding products and extraordinary service to our customers world wide.

## DIMENSIONS



⊕ = Center of Gravity   ○ = M10 Threaded Rigging Point