

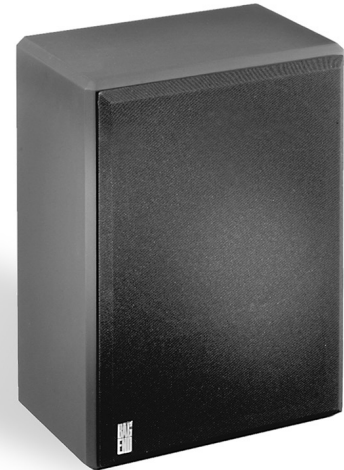
MM-8H TIME-ALIGN[®]

APPLICATIONS

Reference Home Listening Systems Installed Audio-Visual Systems
Screening Rooms Surround Sound Installations

DESCRIPTION

The MM-8H is an 8-inch, 2-way, coaxial Time-Aligned™ loudspeaker system designed for critical near field and mid field listening. While the related MM-8 was designed as a Nearfield™ Monitor, the system has considerably more output capability than required for NFM™ applications and serves dual roles as a distant listening monitor as well. When used with a Bag End® Infra™ subwoofer, the system achieves a flat frequency response wider than the audible spectrum. It has been designed to maintain its low distortion transparent sound at very high sound pressure levels making it ideal for theatrical and presentation level sound. Attachment points are provided for Bag End® mounting bracket (BRKT-1) and other popular mounting hardware.



SPECIFICATIONS

System Type:

2-way coaxial vented 0.54 ft³

Enclosure:

3/4" MDF

Finish:

Black Ro Tex™ True water born environmental finish

Grille:

Black nylon cloth over wood frame

Low Frequency Components:

Low/Mid Frequency Transducer, 8" Cone, 2" Voice coil

High Frequency Components:

1" Exit Coaxially Mounted Compression Driver
1.75" Aluminum voice coil

Input Connector:

5-way binding posts

Crossover Type:

Passive Time-Align® equalizer type @ 2.9 kHz

Time Offset Between Driver:

< ± 25 Microseconds

Sensitivity:

93 dB SPL (2.83 V @ 1m)

Frequency Response:

95 Hz to 20 kHz ±3 dB (Intended for use with an Infra™ subwoofer system)

Low Frequency Limit:

75 Hz (-10dB)

Power Handling:

150 W continuous (AES)
300 W program

Recommended Amplifier Power:

150 to 300 W at rated impedance

Rated Impedance:

8 Ohms

Distortion:

Less than 1% THD
(95 Hz to 20 kHz 94 dB SPL @ 1m)

Recommended High Pass Filter:

80 Hz Butterworth 12 dB/octave

Polarity:

A positive asymmetrical signal applied to the + terminal will result in a positive asymmetrical acoustical pressure

Dimensions:

16.5" h x 12.5" w x 8.5" d
42 cm x 32 cm x 22 cm

Weight:

29 lbs
13 kg

Custom Finishes:

Optional custom finishes include standard white, unfinished ready to paint, high gloss automotive paint and outdoor weatherproof treatment

TIME-ALIGN®, TIME-ALIGNED™ and TIME-ALIGNMENT™ are trademarks of E.M. Long Associates.
BAG END® is a registered trademark of Bag End, Inc.

MM-8H TIME-ALIGN®

ABOUT TIME-ALIGN® TECHNOLOGY

Time-Align® assures that the fundamental and overtones of a complex, transient, acoustical signal are presented to the listener in the same relationship as the electrical signal at the input terminals of the loudspeaker. The conventional loudspeaker spreads out the sound in time. When a rapid series of transients occur the results are blurring and lost detail. With Time-Align®, a transient is presented as a tight package of energy, with the same time relationships as the natural sound. This means that a rapid series of transients will be heard clearly.



True Time-Alignment™ requires much more than just physically lining up the loudspeaker components. It requires consideration of the driver placement, driver delay and adjustment of the crossover delay parameters. This achieves the precise simultaneous acoustical arrival time of each driver throughout the crossover region.

The first Time-Aligned™ Loudspeaker was invented by EM Long Associates in 1976 utilizing the Time-Align® generator invented and built by Ronald Wickersham. In 1980 Bag End® incorporated Time-Align® technology into our full range loudspeaker systems. Along with state-of-the-art laboratory instruments, the proprietary Time-Align® generator is still in use today to verify the time domain performance of our loudspeaker systems. When comparing a genuine Bag End® Time-Aligned™ loudspeaker system to any other, our technology and design is easy to hear and appreciate. The dramatic clarity, realism, and overall pleasant sound of our Time-Aligned™ systems are well noted worldwide.

ABOUT OUR RO TEX™ FINISH

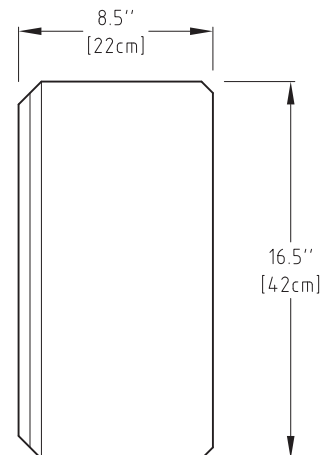
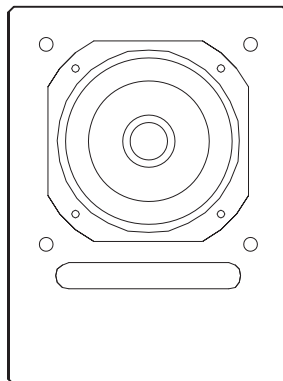
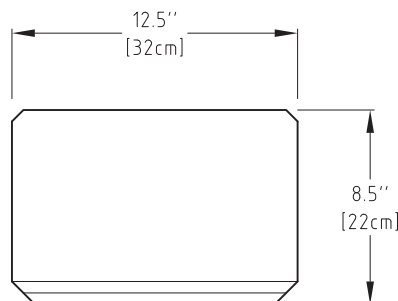
The durable Ro Tex™ finish is double layered on Bag End™ "R" series or Road cabinets. And single layered on installation or "I" cabinets. Ro Tex™ is a water born environmentally safe finish. It's uniquely strong and long

lasting. As it solidifies it attaches and bonds to the wooden cabinet to make a super hard and durable permanent finish. Its light texture offers an attractive and rugged finished look

ABOUT BAG END® LOUSPEAKERS

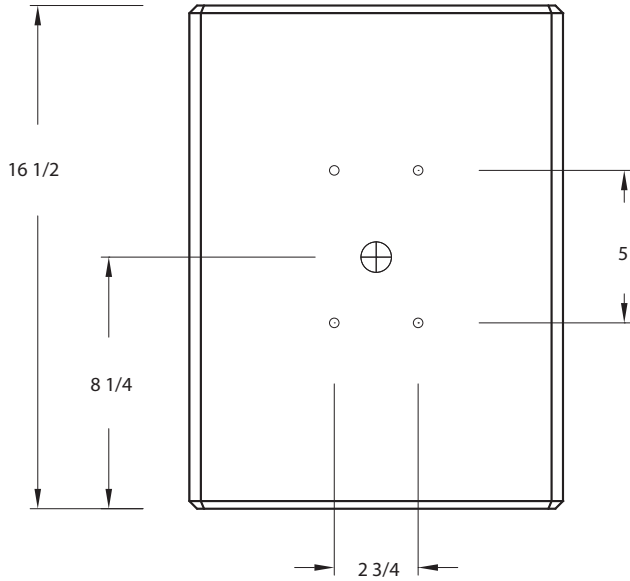
Bag End loudspeakers began in 1976 in a small shop by people dedicated to the pursuit of making high quality loudspeaker systems. Over the decades Bag End® has employed the very best construction techniques and innovative acoustical designs into their products. The ground breaking introductions of the Time-Align® and ELF™ Technologies into sound reinforcement and studio monitor loudspeakers in the 1980's was followed by Minima One™ self-powered systems and the highly unique E-Trap™, electronic bass trap. Over the decades, Bag End® has been a leader in providing uniquely good sounding products and extraordinary service to our customers world wide.

DIMENSIONS

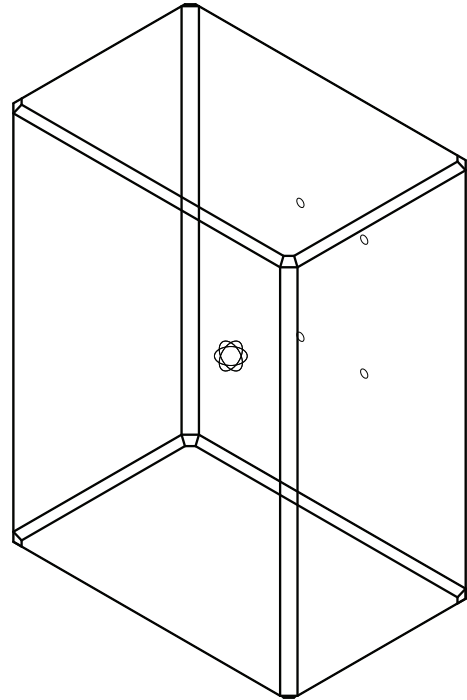


MM-8H TIME-ALIGN[®]

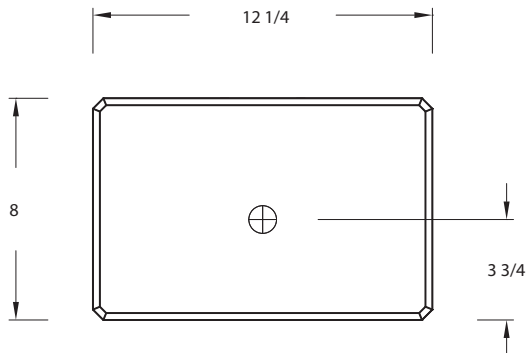
SIDE VIEW



ISOMETRIC VIEW



TOP VIEW



KEY

Center of Gravity: +

WARNINGS

Mounting and rigging loudspeakers requires experienced professionals. Improperly installed loudspeakers can result in property damage, personal injury, death and/or liability to the installing contractor.