



APPLICATIONS:

Karaoke
Bars and Restaurants
Audio Visual Presentations
Home Theater
Schools
Malls

BE-1020 The BE-1020 is a 2-way compact portable full range loudspeaker system equipped with 10" woofer and 1.25" high frequency driver on a 60° x 60° horn in a vented enclosure, offering both high fidelity and high efficiency. For high power applications, the addition of BE series subwoofer extends and increases the total low frequency output power with solid bass punch. The BE-1020 is made from durable MDF and plywood coated with black or white paint and a rugged steel grille. Included are rigging points, tripod adapter and both barrier strip and NL4 input connectors.

SYSTEM COMPONENTS

Enclosure:
15 mm MDF plus plywood

Low Frequency Transducers:
10"

High Frequency Transducer:
1.25"

Input Connectors:
Barrier Strip and
NL4 Speakon 2+ 2-

Grille:
Black coated perforated steel

Rigging points:
15

Tripod adapter:
Included

ACOUSTIC AND ELECTRICAL

System Type:
Full Range

Impedance:
8 Ω

Crossover Network:
2 way

Frequency Response:
75 Hz to 20 kHz ± 3 dB
55 Hz to 20 kHz -10dB

Sensitivity:
98 dB SPL (1W/1M)

Dispersion:
60° x 60°

Power Handling:
260 W RMS

PHYSICAL

Finish:
Black or White

Dimensions:
31.4 cm x 31.6 cm x 50 cm

Weight:
16 kg

Shipping Dimensions:
39 cm x 39 cm x 60 cm

Shipping Weight:
18.5 kg

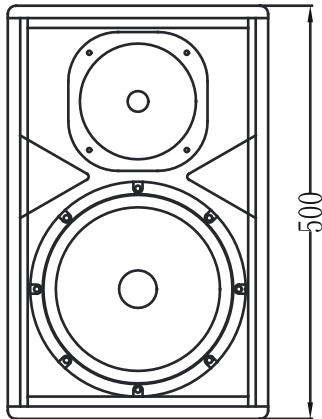
BAG END Loudspeakers
22N272 Pepper Road
Lake Barrington, Illinois
60010 USA
Voice 847 382 4550
Fax 847 382 4551
www.bagend.com



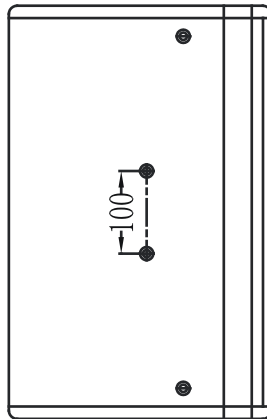


BE-1020

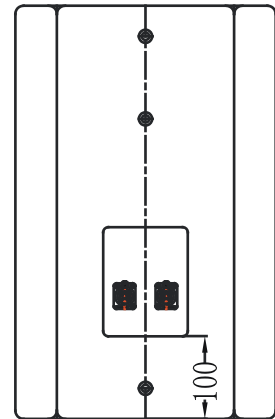
FRONT



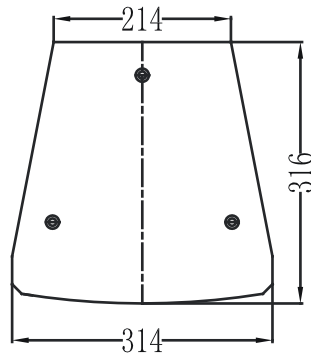
LEFT SIDE



BACK



TOP & BOTTOM



SYSTEM SCHEMATIC

