

### S P E C I F I C A T I O N S



### APPLICATIONS:

- Karaoke
- Bars and Restaurants
- Audio Visual Presentations
- Home Theater
- Schools
- Malls

**BE-820/16** The BE-820/16 is a 2-way compact portable full range loudspeaker system equipped with 8" woofer and 1.25" high frequency driver on a 60° x 60° horn in a vented enclosure, offering both high fidelity and high efficiency. For high power applications, the addition of BE series subwoofer extends and increases the total low frequency output power with solid bass punch. The BE-820/16 is made from durable MDF and plywood coated with black paint and a rugged steel grille. Included are rigging points, tripod adapter and both barrier strip and NL4 input connectors.

#### SYSTEM COMPONENTS

- Enclosure:**  
15 mm MDF plus plywood
- Low Frequency Transducers:**  
8"
- High Frequency Transducer:**  
1.25"
- Input Connectors:**  
Barrier Strip and  
NL4 Speakon 2+ 2-
- Grille:**  
Black coated perforated steel
- Rigging points:**  
15
- Tripod adapter:**  
Included

#### ACOUSTIC AND ELECTRICAL

- System Type:**  
Full Range
- Impedance:**  
16  $\Omega$
- Crossover Network:**  
2 way
- Frequency Response:**  
85 Hz to 20 kHz  $\pm 3$  dB
- Sensitivity:**  
100 dB SPL(1W/1M)
- Dispersion:**  
60° x 60°
- Power Handling:**  
200 W RMS

#### PHYSICAL

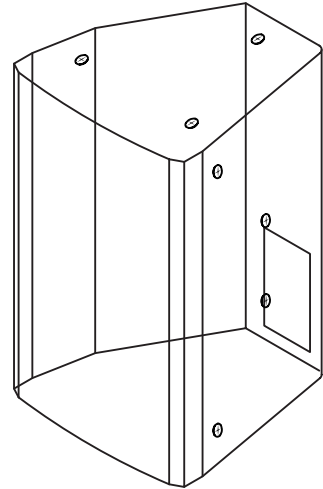
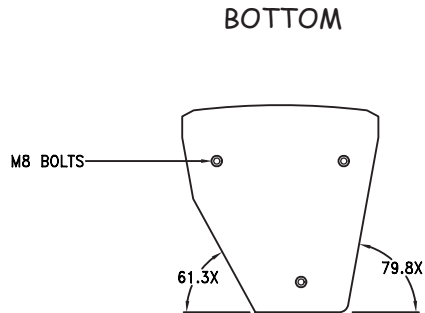
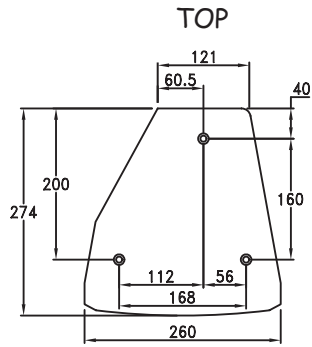
- Finish:**  
Black
- Dimensions:**  
27 cm x 43 cm x 28 cm
- Weight:**  
12 kg
- Shipping Dimensions:**  
36 cm x 53 cm x 34 cm
- Shipping Weight:**  
15 kg

BAG END Loudspeakers  
22N272 Pepper Road  
Lake Barrington, Illinois  
60010 USA  
Voice 847 382 4550  
Fax 847 382 4551  
[www.bagend.com](http://www.bagend.com)

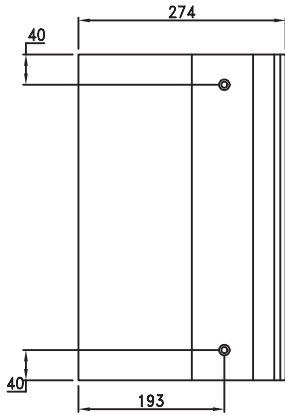




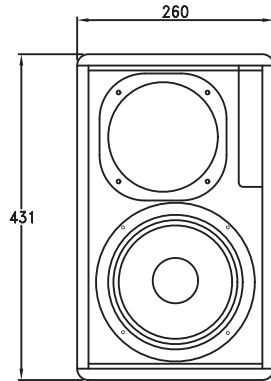
# BE-820/16



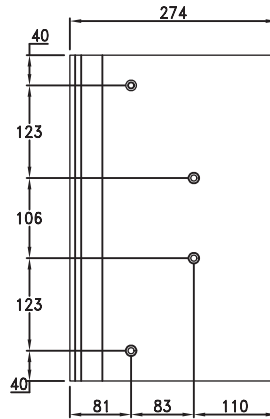
LEFT SIDE



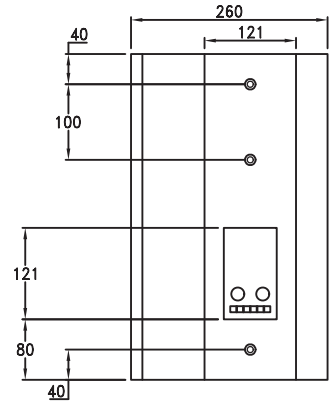
FRONT



RIGHT SIDE



BACK



## SYSTEM SCHEMATIC

