

S P E C I F I C A T I O N S



APPLICATIONS:

- Live Performance
- Karaoke
- Audio Visual Presentations
- PA Systems
- Foreground Music Systems

BE-S18 The BE-S18 is a high power, high efficiency subwoofer system featuring single 18-inch transducers with 4.6" voice coil and 255mm magnet designed to provide high output sub bass response in a compact bass reflex enclosure, ideally for low frequency augmentation in conjunction with two way full range loudspeaker system for commercial or home theatre application. The BE-S18 is made of high quality durable MDF and plywood coated with black paint and a rugged steel grille. Included are pole mount socket for satellite speaker mounting and NL4 input connectors. System requires using with electronic crossover.

SYSTEM COMPONENTS

- Enclosure:**
25 mm MDF plus plywood
- Low Frequency Transducers:**
18"
- Input Connectors:**
NL4 Speakon 1+ 1-
- Grille:**
Black coated perforated steel
- Pole Mount Socket:**
Included

ACOUSTIC AND ELECTRICAL

- System Type:**
Subwoofer
- Impedance:**
8 Ω
- Frequency Response:**
45 Hz to 200 Hz ± 3 dB
42 Hz to 200 Hz -10 dB
- Sensitivity:**
101 dB SPL(1W/1M)
- Power Handling:**
800 W RMS

PHYSICAL

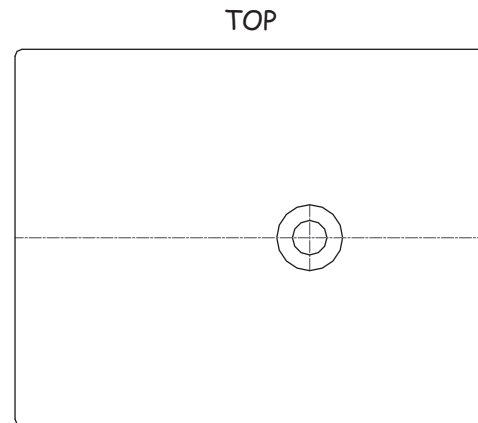
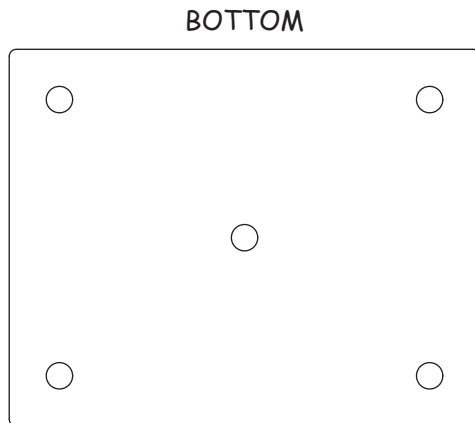
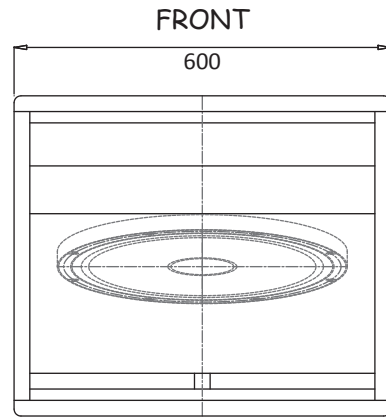
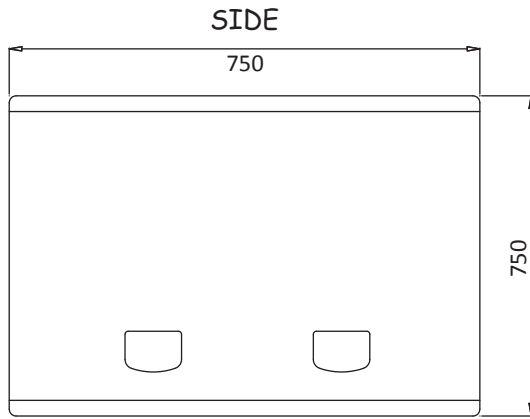
- Finish:**
Black
- Dimensions:**
60 cm x 51 cm x 75 cm
- Weight:**
66 kg

BAG END Loudspeakers
22N272 Pepper Road
Lake Barrington, Illinois
60010 USA
Voice 847 382 4550
Fax 847 382 4551
www.bagend.com





BE-S18



SYSTEM SCHEMATIC

