

TA2002-R TIME-ALIGN®

APPLICATIONS

Portable Sound Reinforcement Portable DJ Systems
Portable Audio-Visual Systems Electronic Keyboards
Theatrical Sound Reinforcement

DESCRIPTION

The TA2002-R is a portable full range loudspeaker system offering both high fidelity and high efficiency. The Time-Aligned™ studio quality sound provides detail and clarity not found in other designs. The TA2002-R is made from durable birch plywood with a black Ro Tex™ finish. Included are handles, stand adapter and rugged coated steel grille.



SPECIFICATIONS

System Type:

2-way vented 2 ft³

Enclosure:

18 mm 13-ply birch plywood

Finish:

Black Ro Tex™ True water born environmental finish

Grille:

16 Gauge black power coated perforated steel

Low Frequency Components:

SE-1280 12" Transducer, 2.5" Voice coil, 80 oz. Magnet

High Frequency Components:

E-700 1" Exit compression driver, 1.8" Titanium diaphragm, 15 oz. Magnet, Radial Waveguide

Input Connector:

Neutrik® speakON 1/4" combo jack wired to Pin 1
Optional input plate available for Pin 2 wiring

Hardware:

2 - Recessed handles
35 mm Stand adapter

Crossover Type:

Passive Time-Align® equalizer type at 2.5 kHz

Time Offset Between Driver:

< ± 25 Microseconds

Sensitivity:

101 dB SPL (2.83 V @ 1m)

Frequency Response:

70 Hz to 20 kHz ±3 dB

Low Frequency Limit:

60 Hz

Maximum Calculated Continuous Acoustic Output:

127 dBSPL @ 1m

Power Handling:

300 W continuous (IEC)
600 W program

Recommended Amplifier Power:

300 to 600 W at rated impedance

Rated Impedance:

8 Ohms

Coverage Pattern:

80 degrees Horizontal (-6 dB)
60 degrees Vertical (-6 dB)
Rotatable horn

Recommended High Pass Filter:

60 Hz

Polarity:

A positive asymmetrical signal applied to the + terminal will result in a positive asymmetrical acoustical pressure

Dimensions:

21" h x 17" w x 18" d
54 cm x 44 cm x 46 cm
Trapezoidal – 11 degree taper per side

Weight:

53 lbs
24 kg

Custom Finishes:

Optional custom finishes include white, unfinished ready to paint and outdoor weather treatment.

TIME-ALIGN®, TIME-ALIGNED™ and TIME-ALIGNMENT™ are trademarks of E.M. Long Associates.
BAG END® is a registered trademark of Bag End, Inc.

TA2002-R TIME-ALIGN®

ABOUT TIME-ALIGN® TECHNOLOGY

Time-Align® assures that the fundamental and overtones of a complex, transient, acoustical signal are presented to the listener in the same relationship as the electrical signal at the input terminals of the loudspeaker. The conventional loudspeaker spreads out the sound in time. When a rapid series of transients occur the results are blurring and lost detail. With Time-Align®, a transient is presented as a tight package of energy, with the same time relationships as the natural sound. This means that a rapid series of transients will be heard clearly.



True Time-Alignment™ requires much more than just physically lining up the loudspeaker components. It requires consideration of the driver placement, driver delay and adjustment of the crossover delay parameters. This achieves the precise simultaneous acoustical arrival time of each driver throughout the crossover region.

The first Time-Aligned™ Loudspeaker was invented by EM Long Associates in 1976 utilizing the Time-Align® generator invented and built by Ronald Wickersham. In 1980 Bag End® incorporated Time-Align® technology into our full range loudspeaker systems. Along with state-of-the-art laboratory instruments, the proprietary Time-Align® generator is still in use today to verify the time domain performance of our loudspeaker systems. When comparing a genuine Bag End® Time-Aligned™ loudspeaker system to any other, our technology and design is easy to hear and appreciate. The dramatic clarity, realism, and overall pleasant sound of our Time-Aligned™ systems are well noted worldwide.

ABOUT OUR RO TEX™ FINISH

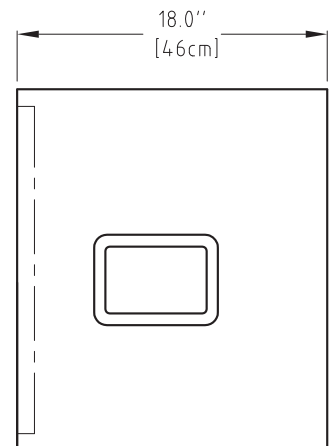
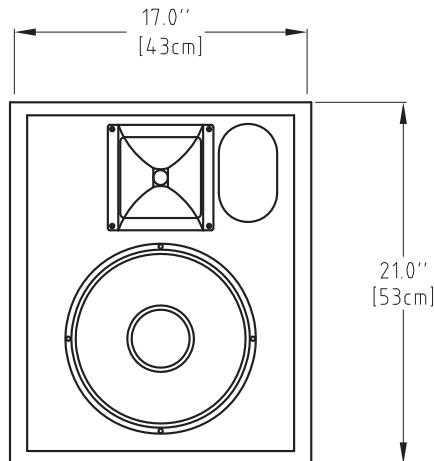
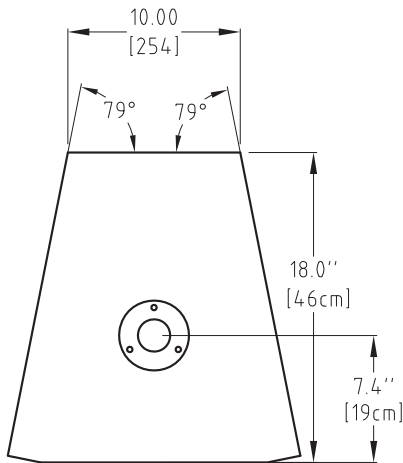
The durable Ro Tex™ finish is double layered on Bag End™ "R" series or Road cabinets. And single layered on installation or "I" cabinets. Ro Tex™ is a water born environmentally safe finish. It's uniquely strong and long

lasting. As it solidifies it attaches and bonds to the wooden cabinet to make a super hard and durable permanent finish. Its light texture offers an attractive and rugged finished look

ABOUT BAG END® LOUSPEAKERS

Bag End loudspeakers began in 1976 in a small shop by people dedicated to the pursuit of making high quality loudspeaker systems. Over the decades Bag End® has employed the very best construction techniques and innovative acoustical designs into their products. The ground breaking introductions of the Time-Align® and ELF™ Technologies into sound reinforcement and studio monitor loudspeakers in the 1980's was followed by Minima One™ self-powered systems and the highly unique E-Trap™, electronic bass trap. Over the decades, Bag End® has been a leader in providing uniquely good sounding products and extraordinary service to our customers world wide.

DIMENSIONS



⊕ = Center of Gravity