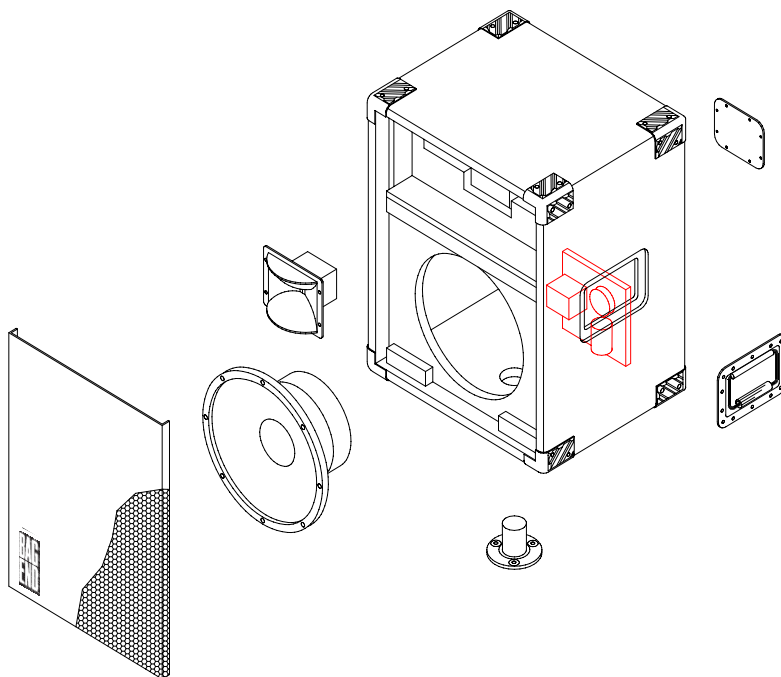


BAG END

TA12-C

S P E C I F I C A T I O N S



APPLICATIONS:

Electronic Keyboards
Acoustic Guitar
Electric Bass Guitar
Drum Monitor
Portable Auditorium PA
Portable DJ Systems

ARCHITECTURAL SPECIFICATIONS:

The loudspeaker shall be a 2-way ported type system with one 300mm (12") low frequency driver and one 100mm x 150mm (4" x 6") high frequency horn tweeter. The low frequency driver shall have a 2.3kg (80oz) magnet with a rear vented back plate assembly and a 63.5mm (2.5") copper wound on a Kapton former voice coil. The high frequency horn tweeter shall have a phenolic diaphragm with a 25.4mm (1") voice coil linked to a 120° X 90° constant directivity horn tweeter. The frequency response shall be $\pm 3\text{dB}$ 70 Hz to 19 kHz. The system shall be Time-Aligned by E. M. Long associates with a time offset at crossover of ± 25 microseconds. The system shall have an average sensitivity of 103 dB SPL with 1 watt input at 1 meter. The system shall have a minimum power handling capacity of 200 watts continuous long term. The enclosure shall be made of 19mm (3/4") plywood with glued rabbet joints and internally dampened with 125 gram/inch² cotton dampening material. The cabinet shall have two flush mounted handles, one per side. The protective grille shall be vinyl coated 16 gauge perforated steel with 5/32" holes. The input connector plate shall be flush mounted in the back of the cabinet and shall include two 1/4" connectors, one double banana connector and two Neutrik Speak-on connectors. Overall dimensions shall not exceed 584mm (23") h x 457mm (18") w x 381mm (15") d. The unit shall be completely covered, including under corners, with durable black carpet. Carpet shall be tucked under the recessed handles and recessed input connector plate. System shall include protective interlocking corners and an Ultimate Support 35mm cup for stand mounting.

SYSTEM COMPONENTS

- Cabinet:**
3/4" 7-ply plywood
- Drivers:**
1 12" bass/mid cone
1 Constant directivity horn tweeter
- Input Connectors:**
1 Banana
2 1/4" phone
2 Neutrik NL4MP Speakon
- Standard Hardware:**
2 Handles
8 Corners
1 35 mm stand adapter

ACOUSTIC AND ELECTRICAL

- System Type:**
2-way ported 2.4 ft³
- Impedance:**
8 Ω
- LF Driver DCR**
6.3 Ω
- HF Driver DCR**
6 Ω
- Crossover Network:**
Time-Align® equalizer filter type at 3.3 kHz
- Frequency Response:**
 $\pm 3\text{dB}$ 70 Hz to 19 kHz
(4 π Steradians)
- Sensitivity:**
103dB SPL/1 Watt/1 Meter
- Dispersion:**
 $\pm 3\text{dB}$ 90° Horizontal
x 40° Vertical
- Power Handling Capacity:**
200 Watts continuous sine wave
800 Watts instantaneous peak

PHYSICAL

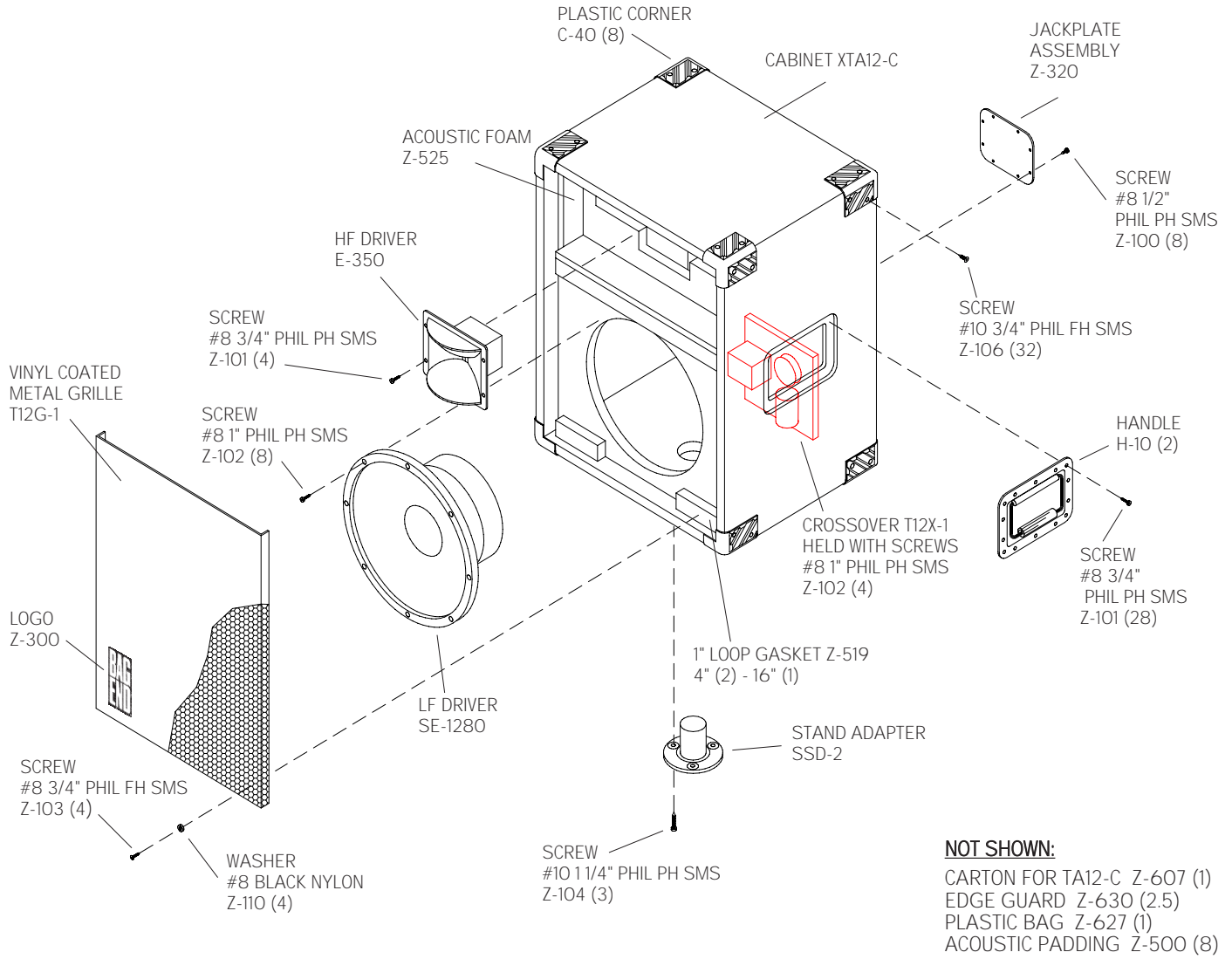
- Finish:**
Black Carpet
- Grille:**
16 Gauge black vinyl coated perforated steel
- Dimensions:**
23"h x 18"w x 15"d
58.4cm x 45.7cm x 38cm
- Weight:**
59 lbs.
26.76 kg
- Shipping Dimensions:**
26"h x 17"w x 20"d
66cm x 43.2cm x 50.8cm
- Shipping Weight:**
67 lbs.
30.39 kg



BAG END Loudspeakers
P.O. Box 488
Barrington, Illinois
60011 USA
Voice 847 382 4550
Fax 847 382 4551
www.bagend.com



TA12-C



SYSTEM SCHEMATIC

