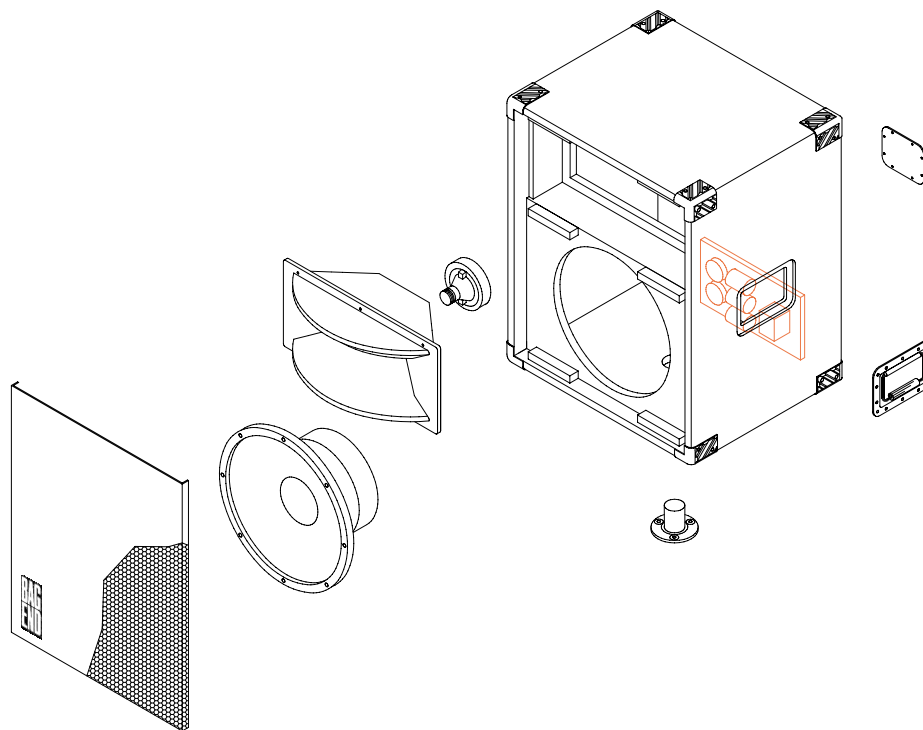


BAG END

TA15-C

S P E C I F I C A T I O N S



APPLICATIONS:

Portable Auditorium PA
Electronic Keyboards
Acoustic Instruments
Electric Bass Guitar
Drum Monitor
Church Sound Reinforcement

ARCHITECTURAL SPECIFICATIONS:

The loudspeaker shall be a 2-way vented type system with one 380mm (15") low frequency driver and one 175mm x 425mm (7" x 17") high frequency waveguide. The low frequency driver shall have a 2.3kg (80oz) magnet with a rear vented back plate assembly and a 63.5mm (2.5") copper wound on a Kapton former voice coil. The high frequency driver shall have a titanium diaphragm with a 35mm (1.25") voice coil linked to a 90° X 40° constant directivity waveguide. The frequency response shall be 50 Hz to 19 kHz ± 3 dB. The system shall be Time-Aligned™ by E. M. Long Associates with a time offset at crossover of ± 25 microseconds. The system shall have an average sensitivity of 103 dB SPL with 1 Watt input at 1 meter. The system shall have a minimum power handling capacity of 200 Watts continuous long term. The enclosure shall be made of 19mm (3/4") plywood and OSB with glued rabbit joints and internally dampened with 125 gram/inch² cotton dampening material. The protective grille shall be vinyl coated 16 gauge perforated steel with 5/32" holes. The input connector plate shall be recessed in the back of the cabinet and shall include two 1/4" connectors, one dual banana connector and two Neutrik Speakon connectors. Overall dimensions shall not exceed 71cm (28")h x 56cm (22.5")w x 47cm (18.5")d. The unit shall be completely covered with durable black carpet. The carpet shall be tucked under the recessed handles and recessed input connector plate. The system shall include protective interlocking corners and a 35mm cup for stand mounting.

SYSTEM COMPONENTS

Enclosure:
3/4" 7-ply poplar / OSB

Low Frequency Transducer:
15" Cone
2.5" Voice coil
80 oz. Magnet

High Frequency Transducer:
1" Compression driver
1.25" Titanium diaphragm
24 oz. Magnet
Constant directivity horn

Input Connectors:
1 - Dual banana
2 - 1/4" Phone
2 - Neutrik Speakon NL4MP

Standard Hardware:
2 - Handles
8 - Protective corners
1 - 35mm Stand adapter

ACOUSTIC AND ELECTRICAL

System type:
2-way vented 4 ft³

Impedance:
8 Ω

Crossover Network:
Time-Align® equalizer filter
type at 1.7 kHz

Frequency Response:
50 Hz to 19 kHz ± 3 dB
(4 π Steradians)

Sensitivity:
103dB SPL/1 Watt/1 meter

Dispersion:
90° Horizontal x 40° Vertical
(-6dB points)

Power Handling Capacity:
200 W continuous sine wave
800 W instantaneous peak

PHYSICAL

Finish:
Black carpet

Grille:
16 Gauge black vinyl coated
perforated steel

Dimensions:
28"h x 22.5"w x 18.5"d
71cm x 56cm x 47cm

Weight:
85 lbs.
39kg

Shipping Dimensions:
20" x 30" x 25"
51cm x 76cm x 64cm

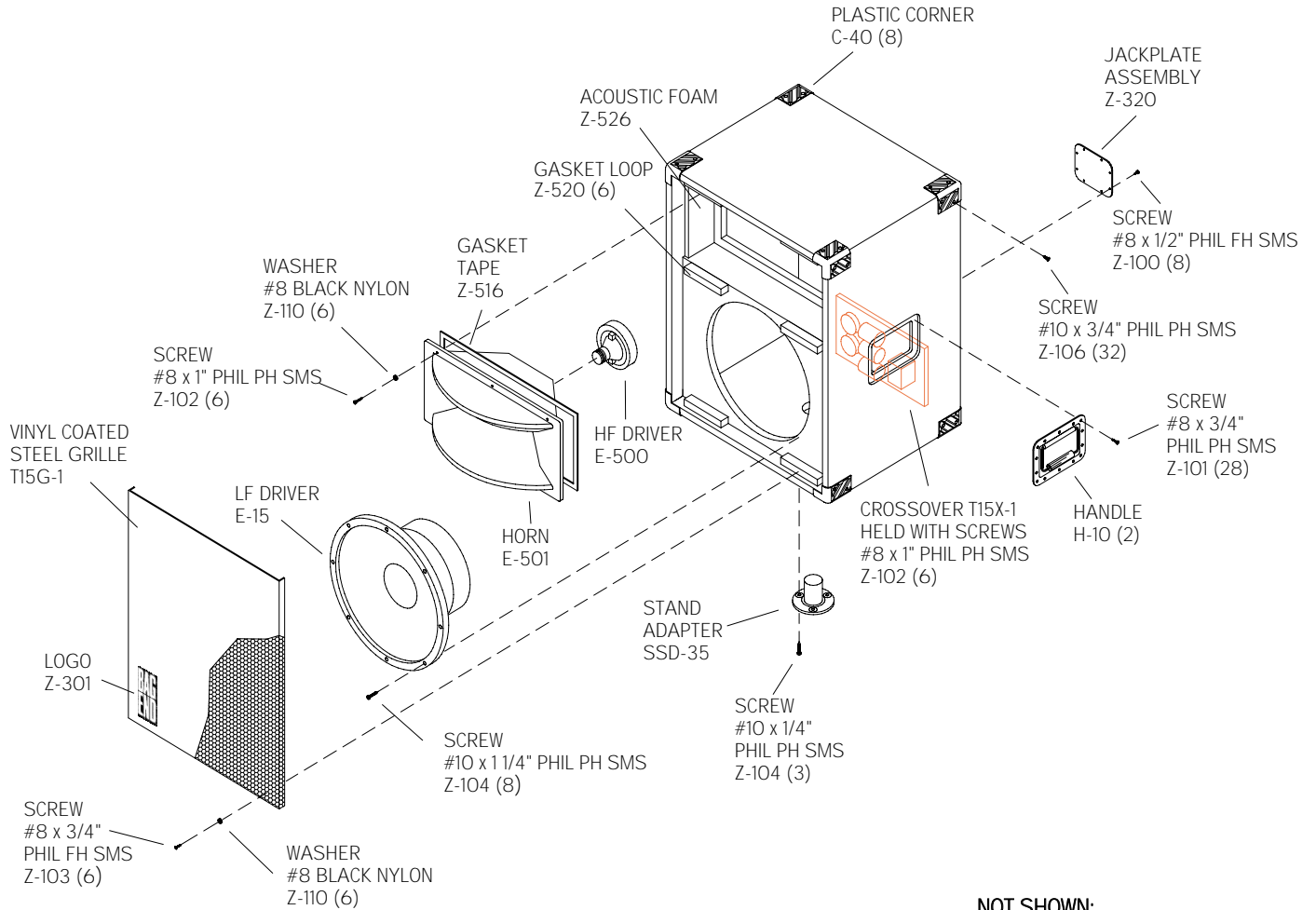
Shipping Weight:
96 lbs.
43kg



BAG END Loudspeakers
22272 Pepper Road
Barrington, Illinois
60010 USA
Voice 847 382 4550
Fax 847 382 4551
www.bagend.com



TA15-C



NOT SHOWN:

- SHIPPING CARTON Z-608 (1)
- EDGE GUARD Z-630 (3)
- PLASTIC BAG Z-627 (1)
- ACOUSTIC DAMPENNER Z-500 (8)

SYSTEM SCHEMATIC

