

# S10N-N PERFORMANCE SYSTEM

## APPLICATIONS

Electric Bass Guitar	Electric Guitar
Acoustic Bass Instruments	Mandolin
Chapman Stick	Banjo

## DESCRIPTION

The Bag End® S10N-N is a compact single 10" musical instrument speaker well matched to electric guitar, electric bass, or acoustic bass. It has a damped spring loaded handle, sturdy rubber feet, and a 18 mm thick birch plywood cabinet covered in our Unique Nebula finish making it a very portable, and extremely durable speaker enclosure. It is a rear vented design, with 2 parallel Neutrik® SpeakON input jacks for a high current input connection. Its excellent sound and small size make it a great choice for rehearsal, live gigs or as part of a larger multi way modular system. The S10N-N is the lightest bass instrument system we make featuring Bag End's Neodymium driver design. From top to bottom it includes the same legendary Bag End® quality and workmanship well known by the best musicians throughout the world.



## SPECIFICATIONS

### System Type

Rear vented 1.4 ft<sup>3</sup>

### Enclosure

18 mm 13-ply birch plywood

### Finish

Coated Nebula finish

### Grille

16 Gauge black powder coated perforated steel

### Low Frequency Components

E-10F 10" Cone, 2.5" Voice coil, Neodymium magnet

### Input Connector

Dual Neutrik® speakON

### Internal Amplification

Optional self powered

### Hardware

2 – Handles  
8 – Feet

### Sensitivity

97 dB SPL (2.83 V @ 1 m)

### Frequency Response

52 Hz to 5 kHz ±6 dB

### Power Handling

300 W continuous (AES)  
600 W program

### Recommended Amplifier Power

200 to 400 W at rated impedance

### Rated Impedance

8 ohms

### Polarity

A positive asymmetrical signal applied to the + terminal will result in a positive asymmetrical acoustical pressure

### Dimensions

15" h x 18" w x 15" d  
38 cm x 46 cm x 38 cm

### Weight

27 lbs  
12 kg

BAG END® is a registered trademark of Bag End, Inc.

# S10N-N PERFORMANCE SYSTEM

## ABOUT NEBULA

After 25 years the Deep Red series is now replaced by Nebula. Nebula is our newest loudspeaker series incorporating decades of experience into highly advanced instrument loudspeaker systems. Many of the same models included in Nebula you may recognize from the Deep Red series except they end with an "N" for Nebula rather than a "D". The same standard dimensions used in the current Oiled Birch cabinets and the previous Deep Red series are implemented allowing multiple Nebula models to be perfectly stacked in many configurations. The cabinets come with rubber feet on two sides and matching feet pockets on two sides allowing cabinets to be securely interlocked in multiple directions. The Nebula finish is water tight, abrasion resistant, UV resistant, chemical resistant and extraordinarily strong. It's a beautiful deep purple, almost black, and among the most resilient coatings in the world. Our machined aluminum speaker mounting clamps are secure and strong and allow for easy driver exchange. Flush mounted spring bail handles provide easy handling by keeping hands and wrists away from the cabinet. The handles are made of durable coated steel. Cabinets include a rugged 16 gauge power coated steel grille and flush mounted input plate. Every detail in the Nebula series is perfectly engineered and constructed to insure years of trouble free operation.

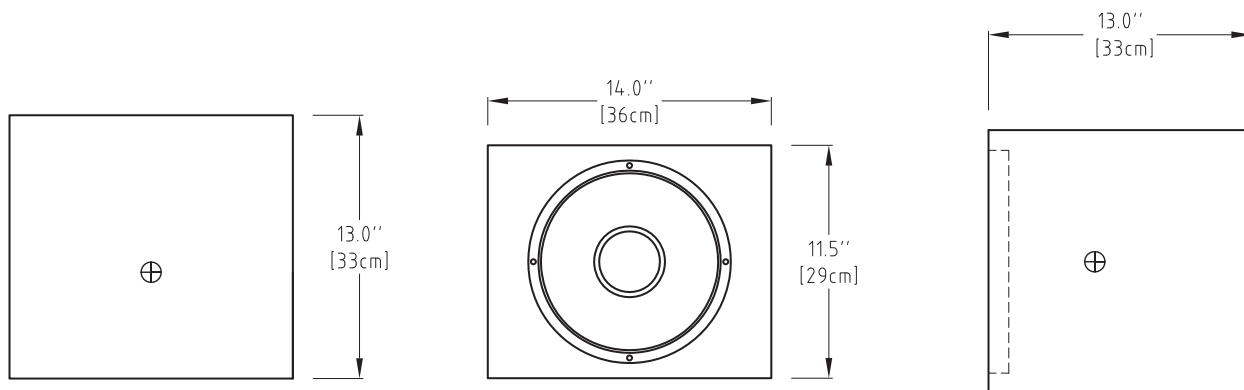
## ABOUT MUSICAL INSTRUMENT SYSTEMS

Musical Instrument Systems, especially loudspeaker design for use with stringed instruments, require more than just technical expertise. Over the years Bag End® has employed the highest degree of technology into these systems, but beyond that, the loudspeaker becomes an extension of the instrument itself. A well designed loudspeaker will reproduce all the characteristics of the instrument, but it also adds its own frequency response, distortion and directivity characteristics. Electronic equalization in the instrument and preamp is also widely used. Our loudspeaker designs include artistic subjectivity along with technical excellence to consider and incorporate these variables. Since before Bag End® was formed in 1976 the founders were both technicians and musicians and they incorporated both good taste and technology into the sound design of the early systems. Over the years some of the original designs proved to be exactly what many musicians wanted and therefore, have not changed for over 4 decades.

In the 1970's early Bag End instrument systems were single and double 12" and 15" models. These early models were inspired by cabinets Alembic built for Jefferson Airplane, Grateful Dead and others. At that time we designed a modular system of dimensions for

arraying and stacking cabinets in various configurations and refined the hardware and finish. The first cabinet built by Bag End was a double 12, serial #1. We sold this one to Mike Sasseti in 1976 and 35 years later Mike bought his second double 12 and he gave us back the #1. While we have refined manufacturing processes and now offer a variety of options, over time our products have remained remarkably consistent and compatible. Rather than changing models every year we standardized our basic dimensions and designs and kept our products consistent over long time periods. Some of the earliest system designs remain in production today and are virtually unchanged. Among them our single 12 and single 15 have become industry standards. Based upon timeless designs and principles they are hard to beat. You might say, if you get it right the first time you don't need the new improved version. Bag End systems are made to sound great, last long, and be serviceable. Used Bag End cabinets demand the highest price because most musicians keep them. Its an investment for a lifetime.

## DIMENSIONS



⊕ = Center of Gravity

