

TA1202-R TIME-ALIGN®

APPLICATIONS

Portable Sound Reinforcement Portable DJ Systems
Portable Audio-Visual Systems Electronic Keyboards
Theatrical Sound Reinforcement

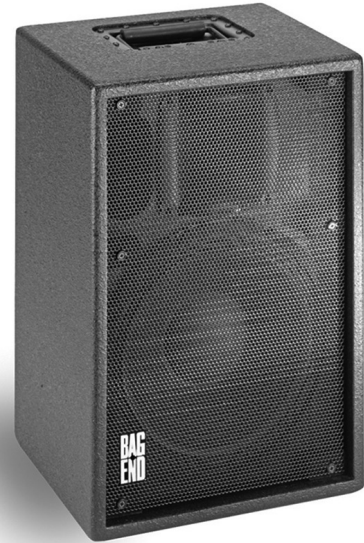
DESCRIPTION

The TA1202-R produces high definition, high impact sound over its controlled coverage angle allowing precise effective audience coverage in a variety of venues. This point source loudspeaker, engineered for seamless short and mid throw performance is well known for exceptional fidelity and its surprisingly high output capability. It excels in speech projection and live performance PA systems as well as high level music playback systems.

The rotatable 80 degree (h) by 60 degree (v) coverage pattern offers optimal coverage options for horizontal or vertical applications

The TA1202-R includes an internal passive Time-Align crossover and optimal venting provides a surprisingly powerful bass output. The TA1202-R is a rectangular cabinet making it store and transport efficiently. The internal cabinet volume is also maximized for the cabinets footprint for greater bass response. With its hi fidelity, convenient size and hi output its perfect for many stand alone applications. Adding Bag End subwoofers will expand its capabilities to include larger venues.

Constructed from 18mm Baltic Birch plywood the TA1202-R includes a durable black Ro Tex finish, durable steel grille, Integral handles, dual NL-4 input jacks and internal stand adapter make it a perfect choice for a multitude of applications.



SPECIFICATIONS

System Type

2-way vented 1.1 ft³

Enclosure

18 mm 13-ply birch plywood

Finish

Black Ro Tex™ true water born environmental finish

Grille

16 Gauge black powder coated perforated steel

Low Frequency Components

SE-1280 12" Transducer, 2.5" Voice coil, 80 oz Magnet

High Frequency Components

E-700 1" Exit compression driver, 1.8" Titanium diaphragm, 15 oz Magnet, Radial waveguide

Input Connector

Dual Neutrik® speakON

Internal Amplification

Optional self powered

Hardware

Recessed handle
35 mm Stand adapter

Crossover Type

Passive Time-Align® equalizer type at 2.5 kHz

Time Offset Between Driver

< ± 25 Microseconds

Sensitivity

101 dB SPL (2.83 V @ 1 m)

Frequency Response

75 Hz to 20 kHz ±3 dB

Low Frequency Limit

65 Hz

Maximum Calculated Continuous Acoustic Output

127 dB SPL @ 1 m

Power Handling

300 W continuous (IEC)
600 W program

Recommended Amplifier Power

300 to 600 W at rated impedance

Rated Impedance

8 ohms

Coverage Pattern

80 degrees horizontal (-6 dB)
60 degrees vertical (-6 dB)
Rotatable horn

Recommended High Pass Filter

60 Hz

Polarity

A positive asymmetrical signal applied to the + terminal will result in a positive asymmetrical acoustical pressure

Dimensions

21" h x 14" w x 11.5" d
54 cm x 36 cm x 30 cm

Weight

46 lbs
21 kg

Custom Finishes

Optional custom finishes include white, unfinished ready to paint and outdoor weather treatment.

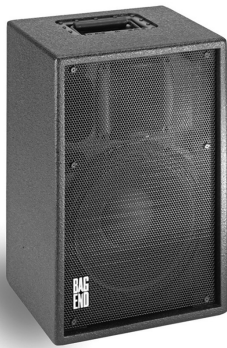
TIME-ALIGN®, TIME-ALIGNED™ and TIME-ALIGNMENT™ are trademarks of E.M. Long Associates.
BAG END® is a registered trademark of Bag End, Inc.



TA1202-R TIME-ALIGN®

ABOUT TIME-ALIGN® TECHNOLOGY

Time-Align® assures that the fundamental and overtones of a complex, transient, acoustical signal are presented to the listener in the same relationship as the electrical signal at the input terminals of the loudspeaker. The conventional loudspeaker spreads out the sound in time. When a rapid series of transients occur the results are blurring and lost detail. With Time-Align®, a transient is presented as a tight package of energy, with the same time relationships as the natural sound. This means that a rapid series of transients will be heard clearly.



True Time-Alignment™ requires much more than just physically lining up the loudspeaker components. It requires consideration of the driver placement, driver delay and adjustment of the crossover delay parameters. This achieves the precise simultaneous acoustical arrival time of each driver throughout the crossover region.

The first Time-Aligned™ Loudspeaker was invented by EM Long Associates in 1976 utilizing the Time-Align® generator invented and built by Ronald Wickersham. In 1980 Bag End® incorporated Time-Align® technology into our full range loudspeaker systems. Along with state-of-the-art laboratory instruments, the proprietary Time-Align® generator is still in use today to verify the time domain performance of our loudspeaker systems. When comparing a genuine Bag End® Time-Aligned™ loudspeaker system to any other, our technology and design is easy to hear and appreciate. The dramatic clarity, realism, and overall pleasant sound of our Time-Aligned™ systems are well noted worldwide.

ABOUT OUR RO TEX™ FINISH

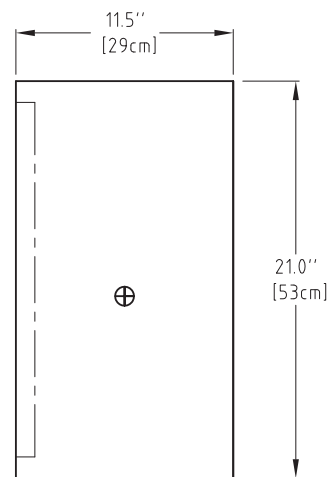
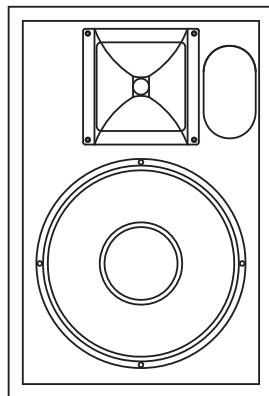
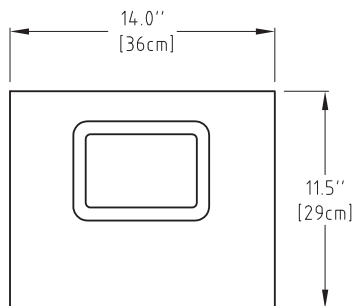
The durable Ro Tex™ finish is found on Bag End™ "R" series or Road cabinets. Ro Tex™ is a water base, environmentally safe finish that is made in Europe and is

uniquely strong and long lasting. As it solidifies and attaches to the wooden cabinet it bonds with the wood to make a super hard permanent finish. It is lightly textured offering both an attractive and rugged finish.

ABOUT BAG END® LOUSPEAKERS

Bag End loudspeakers began in 1976 in a small shop by people dedicated to the pursuit of making high quality loudspeaker systems. Over the decades Bag End® has employed the very best construction techniques and innovative acoustical designs into their products. The ground breaking introductions of the Time-Align® and ELF™ Technologies into sound reinforcement and studio monitor loudspeakers in the 1980's was followed by Minima One™ self-powered systems and the highly unique E-Trap™, electronic bass trap. Over the decades, Bag End® has been a leader in providing uniquely good sounding products and extraordinary service to our customers world wide.

DIMENSIONS



⊕ = Center of Gravity

